

Printer Tour

This topic includes:

- "Printer Features" on page 1-2
- "Available Configurations" on page 1-3
- "Front View" on page 1-4
- "Rear View" on page 1-4
- "Internal Components" on page 1-4
- "Printer Options and Upgrades" on page 1-5
- "Resources" on page 1-5

Printer Features

The Phaser 5500 Laser Printer embodies many features to meet your print needs:

Great performance and superior print quality

- 50 pages per minute (ppm) (Letter and A4)
- True 1200 dpi at full rated speed
- Up to 512 MB of RAM

Flexible paper handling

- Standard multi-purpose tray (holds 100 sheets)
- Two standard 500-Sheet Feeders
- Optional 1000-Sheet Feeder
- Optional 2000-Sheet Feeder
- Optional Envelope Tray (holds 35 envelopes)
- Optional 3500-Sheet Stacker
- Optional 3500-Sheet Finisher (with stapler and hole puncher)
- Input paper capacity up to 4,100 sheets
- Optional automatic two-sided printing (included with Phaser 5500DN, 5500DT, and 5500DX configurations)
- Accommodates a wide variety of media types and custom size paper

Wide variety of productivity features

- PhaserSMART provides online troubleshooting.
- CentreWare Internet Services (an embedded web server) helps to manage, configure, and troubleshoot the printer from your computer.
- PrintingScout provides onscreen notification and guidance if the printer needs help.
- Usage Analysis Tool provides cost tracking that logs each job and the cost for each page.
- MaiLinX email notifies a specific person when supplies or maintenance are needed.
- MaiLinX prints to your network printer from anywhere you have email.

Available Configurations

The Phaser 5500 Laser Printer is available in five configurations.

Features	Printer Configuration				
	5500B	5500N	5500DN	5500DT	5500DX
Maximum Print Speed (Pages Per Minute)	50	50	50	50	50
Standard Memory (MB)	128	128	128	128	256
PostScript and PCL Fonts	Standard	Standard	Standard	Standard	Standard
1000-Sheet Feeder	Optional	Optional	Optional	Standard	Standard
2000-Sheet Feeder	Optional*	Optional*	Optional*	Optional*	Standard
3500-Sheet Stacker	Optional#	Optional#	Optional#	Optional#	N/A
3500-Sheet Finisher	Optional#	Optional#	Optional#	Optional#	Standard
Automatic 2-Sided Printing (Duplex)	Optional	Optional	Standard	Standard	Standard
Maximum Resolutions (dpi)	True 1200 x 1200	True 1200 x 1200	True 1200 x 1200	True 1200 x 1200	True 1200 x 1200
Secure, Proof, Personal, and Saved Print Jobs	Optional†	Optional†	Optional†	Optional†	Standard
Parallel Connection	Standard	Standard	Standard	Standard	Standard
USB Connection	Standard	Standard	Standard	Standard	Standard
10/100 Ethernet Connection	N/A‡	Standard	Standard	Standard	Standard
Internal Hard Drive	Optional	Optional	Optional	Optional	Standard

All configurations support two memory slots. The maximum memory is 512 MB.

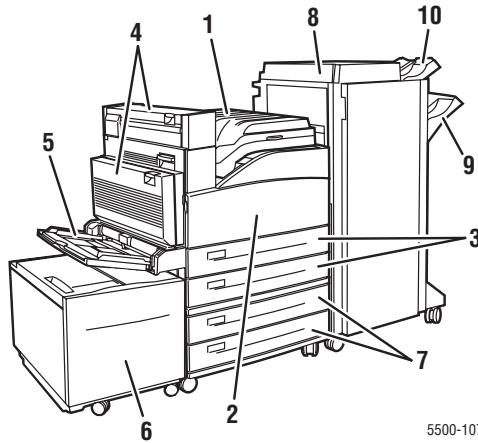
* Requires the 1000-Sheet Feeder.

Requires the 1000-Sheet Feeder and the Duplex Unit.

† Requires a hard drive.

‡ Requires a Phaser 5500B to 5500N upgrade kit.

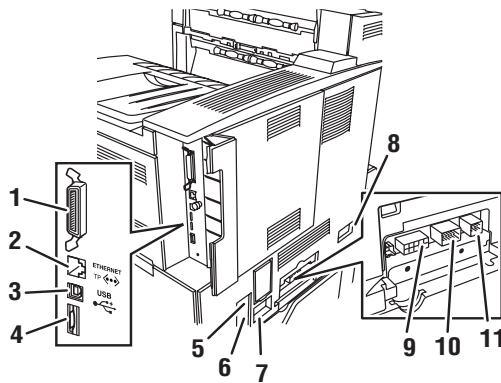
Front View



5500-107

1. Standard Output Tray
2. Front Door
3. Two 500-Sheet Feeders (Trays 2 and 3)
4. Optional Duplex Unit
5. Tray 1 (MPT)
6. Optional 2000-Sheet Feeder (Tray 6)
7. Optional 1000-Sheet Feeder (Trays 4 and 5)
8. Optional 3500-Sheet Finisher or Stacker
9. Optional Stacker Lower Tray (3000 Sheets)
10. Optional Stacker Upper Tray (500 Sheets)

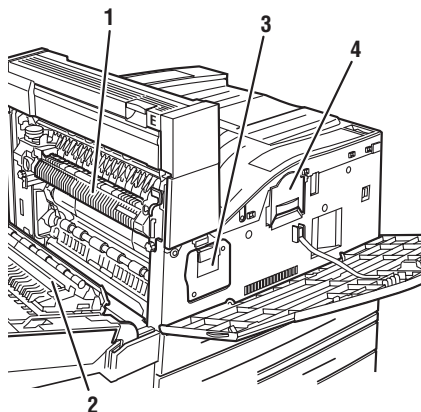
Rear View



5500-119

1. Parallel connection
2. Ethernet 10/100 Base-T connection
3. USB connection
4. Configuration card
5. Ground Fault Interrupt (GFI) reset
6. Power cord connection
7. Finisher or Stacker power cord connection
8. 2000-Sheet Feeder (Tray 6) connection
9. Finisher or Stacker connection
10. 1000-Sheet Feeder (Trays 4 and 5) connection
11. Duplex Unit connection

Internal Components



5500-109

1. Fuser
2. Transfer Roller
3. Drum Cartridge
4. Toner Cartridge

Printer Options and Upgrades

Printer options and an upgrade are available for the Phaser 5500 Laser Printer.

Options

- 128 MB and 256 MB memory cards for two RAM slots
- 1000-Sheet Feeder
- 2000-Sheet Feeder
- 3500-Sheet Stacker
- 3500-Sheet Finisher (with stapler and hole puncher)
- Internal Hard Drive
- 16 MB Flash Memory
- Duplex Unit
- Envelope Tray

Upgrades

- Phaser 5500B to Phaser 5500N upgrade kit

For more information on printer options and upgrades, go to www.xerox.com/office/5500supplies.

Resources

You can obtain information regarding your printer and its capabilities from the following sources:

Information	Source
Setup Guide	Packaged with printer
Quick Reference Guide	Packaged with printer
Warranty	Packaged with printer
User Guide	Packaged with printer (User Documentation CD-ROM)
Printer Management Tools	www.xerox.com/office/pmtools
infoSMART Knowledge Base	www.xerox.com/office/5500infoSMART
PhaserSMART	www.phaserSMART.com
Technical Support	www.xerox.com/office/5500support
Information Pages	<ul style="list-style-type: none"> ■ Front panel ■ CentreWare IS ■ Printer Driver